

MT6050i

Human Machine Interface
with 4.3" TFT LCD display



【 Introduction 】

MT6000 series is the new HMI generation of Weintek. With the design concept of meeting customers' satisfaction while easy-to-Use attribute as before, a MT6000 not only performs as a Human Machine Interface but also plays as a role of data exchange center. MT6000 series is the best choice for your requirement tomorrow.

The MT6050i includes a USB 2.0 high speed device.

◆ Specifications

- **Construction:** plastic molding housing
- **Display:** 4.3" 65,536 color TFT LCD
- **CPU and core logic:** 32Bit RISC 400MHz processor
- **DRAM:** 64 MB DDR2 on board
- **Storage:** 128 MB flash memory on board, Recipe memory saved in flash memory, RW 64Kword, RW_A 64Kword.
(User project size: 16MB, Data and Event log size: 48MB)
- **I/O:** 1 serial ports: Com1: RS-232/RS-485 2w/4w, Com3: RS-485 2w
1 USB 2.0 high speed device
- **Power input:** 24±20%V_{DC}, 250mA@24VDC
- **Dimension (W x H x D):** 128 x 102 x 38mm
- **Weight:** 0.3kg
- **Software:** EB8000 V3.0.0 or later

◆ Features

- 4.3" 480x272 TFT LCD
- Fan-less cooling system
- NEMA4/IP65 compliant front panel
- LED Back Light
- One USB client port
- Power Isolator Inside
- Com1 RS485 supports MPI 187.5K

◆ LCD Display

Display type	TFT LCD
Display size (diagonal)	4.3"
Max colors	65536
Resolution	480 x 272
Pixel pitch (HxV, mm)	0.198 x 0.198
Viewing angle (°)	50/70/70/70(T/B/R/L)
Luminance (cd/m ²)	500
Backlight	LED
Backlight Life time	30,000 hrs.
Contrast ratio	600:1

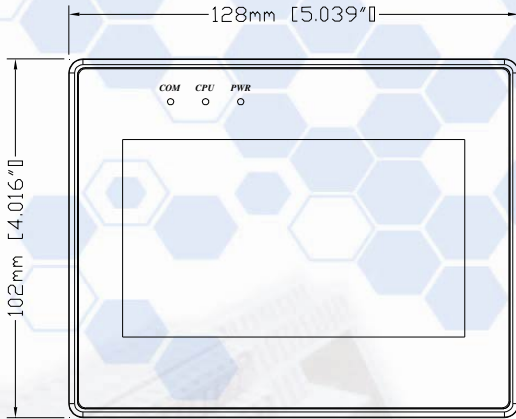
◆ Touchscreen

- **Type:** 4-wire, analog resistive
- **Resolution:** continuous
- **Light transmission:** above 80%
- **Life:** 1 million activation minimum

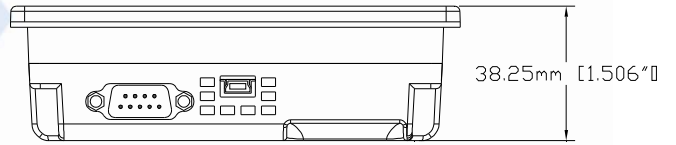
◆ Environmental Specifications

- **Operating temperature:** 0° ~ 50°C (32° ~ 122°F)
- **Storage temperature:** -20° ~ 60°C (-4° ~ 140°F)
- **Relative humidity:** 10% ~ 90% @ 40°C, non-condensing
- **Shock (operation):** 10 to 25Hz(X,Y,Z direction 2G 30minutes)
- **CE/FCC :** Complies with EN 55022:2006, Class A
EN 55024:1998+A1:2001+A2:2003
EN 61000-3-2:2006
EN 61000-3-3:1995+A1:2001+A2:2005
- **Front panel meets NEMA4 / IP65**

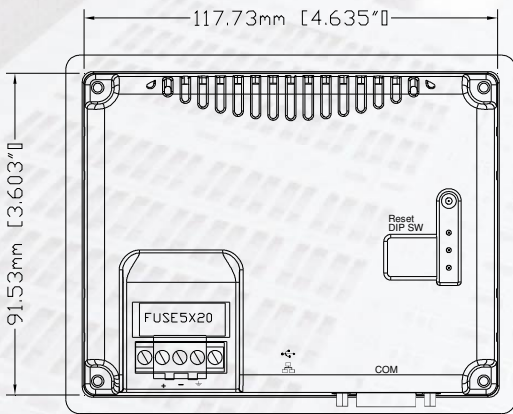
◆ Dimensions Drawing



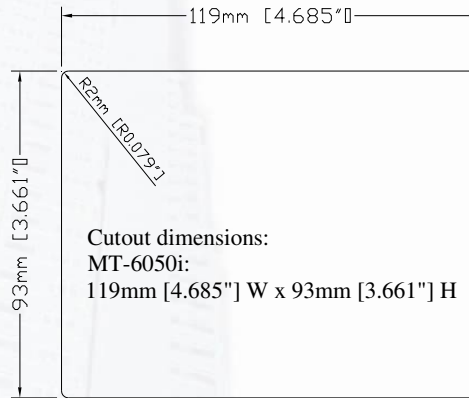
Front View



Bottom View

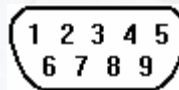


Rear View



Pin Designations

Pin assignment of the 9 Pin, Male, SUB-D
Com1[RS-232], Com1[RS-485 2w/4w], Com3[RS-485]



Pin#	Com1[RS485]		Com1[RS232]	Com3[RS485]
	4 wire	2 wire		
1	Rx-	Data-		
2	Rx+	Data+		
3	Tx-			
4	Tx+			
5	Signal Ground (GND)			
6			Transmit(TxD)	
7				Data-
8				Data+
9			Receive(RxD)	

Ordering Information

- ☐ **MT6050i:**
4.3" TFT LCD HMI, 128MB flash memory/64MB DDR2 RAM on board.
- ☐ **RZCMT6100:**
MT6000/8000 i series download cable / Mini USB to USB 2.0 100 cm

Contact: WEINTEK LABS., INC. TEL: +886-2-22286770 Web:www.weintek.com

MT6050iV2WK_DataSheet_ENG_110512